

SCI 535 1700 Low frequency high quality buzzer

STANDARD SERIES



The SCI 535 1700 standard buzzer is a low frequency high quality buzzer to be used in applications where a low frequency is required.

The Standard series is based on the highest piezo technology and is considered as a robust model for industrial applications. The use of a special shaped membrane (curved edge) fixed and glued into the housing together with the potting material makes this model shock proof, as well as dust and waterproof (IP67).

ADVANTAGES & APPLICATIONS

ADVANTAGES :

- Solid state shock proof buzzer
- Dust and waterproof, rated to IP 67
- Low frequency
- Life time > 2000 hours
- Low power consumption
- Automotive temperature range

APPLICATIONS :

- Critical applications
- Low frequency applications

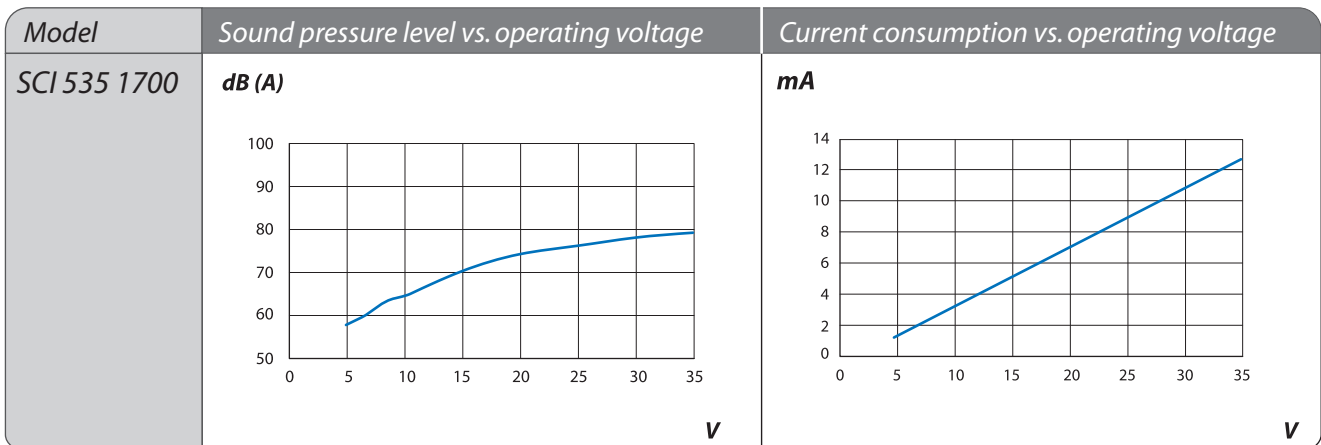
SPECIFICATIONS

Model	Operating Voltage		Frequency(Hz) (± 15%)	Operating Current (mA)		SPL (dB(A))*
	min. Vdc	max. Vdc		@ Vdc min.	@ Vdc max.	
SCI 535 1700	5	35	1700	1.4	12.2	67

Operating voltage:	5/35Vdc
Operating current:	8.5mA @ 24Vdc
Frequency:	1.7kHz ±15%
Sound pressure level:	67dB (A) @ 12Vdc @ 1m
Tone:	continuous
Life time:	>2000 hours @ 21°C @12Vdc (free air) mounted on panel
Terminals:	pins or Fast-on
Operating temperature:	-40°C to +85°C
Storage temperature:	-40°C to +85 °C
Case material:	ABS (UL rating: 94 HB)
Standard color of case:	grey
Weight:	13 g to 24 g

*All measurements are made @ 1 meter in free air @ 21°C @ 12 Vdc. Please note that objects in close proximity of the buzzer, or objects in a room, can cause reflections and thereby increasing or decreasing the SPL.

ELECTRICAL PARAMETERS



All measurements are made @ 1meter in free air @ 21°C.

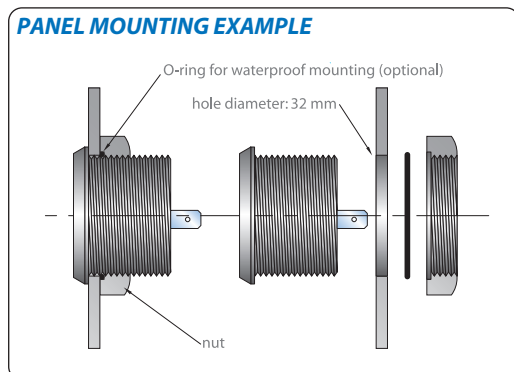
PRODUCT CODIFICATION

<p>SCI 535 1700</p>	<p>Combinations</p> <p>SCI 535 1700 SCI 535 1700 F SCI 535 1700 F2</p>
---------------------	---

DIMENSIONS, OPTIONS, MOUNTING EXAMPLE

(All dimensions are in mm)

<p>Mounting nut</p> <p>O-ring</p>	<p>Pins</p> <p>'fast-on' F</p> <p>'fast-on' F2</p>
---	---



ORDER OPTIONS STANDARD SERIES

W100 With 2 wires: length 10cm (instead of pins).

ACR (acrly coating) For applications under aggressive humid conditions, Sonitron also deliver a special model in which the piezo element is covered with a protective coating. Add ACR to the part number. The protective coating gives a complementary assurance against smog; all standard models are perfectly waterproof (IP67) without the mentioned coating.

Gasket (O-ring) Rubber sealing ring for waterproof assembly. (standard delivered with SP7)

To order an option add the suffix to the model number of the standard series.