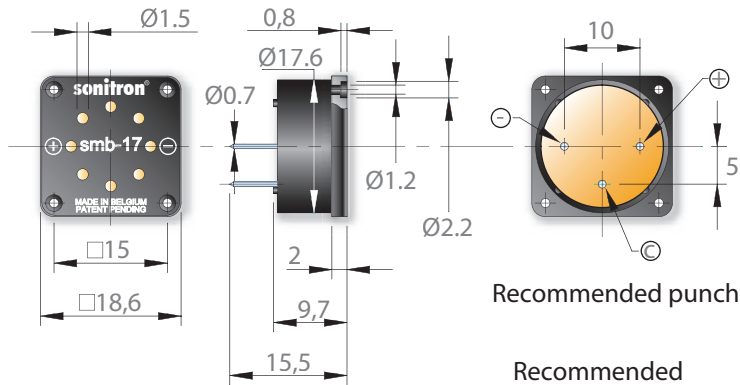


DIMENSIONS (All dimensions are in mm)

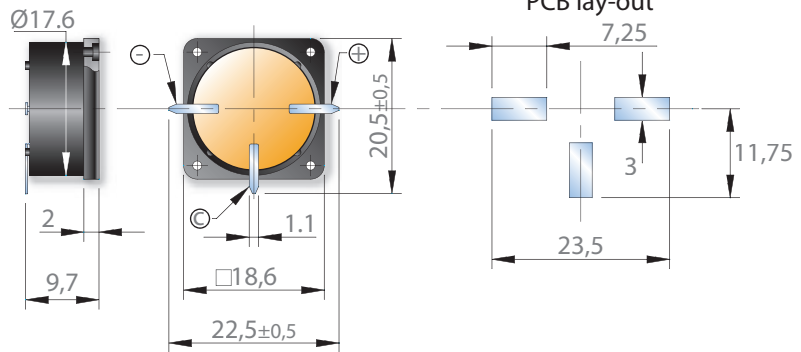
SMB-17 CC P10



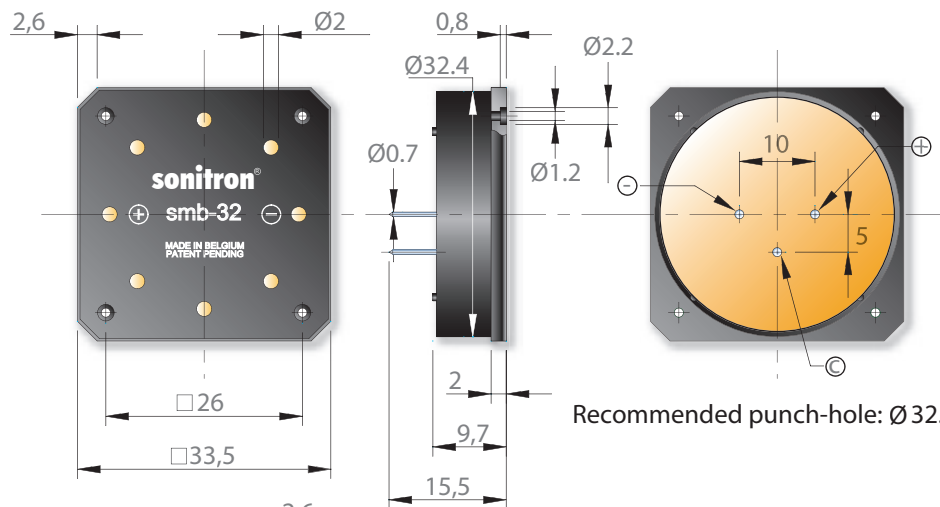
Recommended punch-hole: $\varnothing 18.1$

Recommended PCB lay-out

SMB-17 CC S

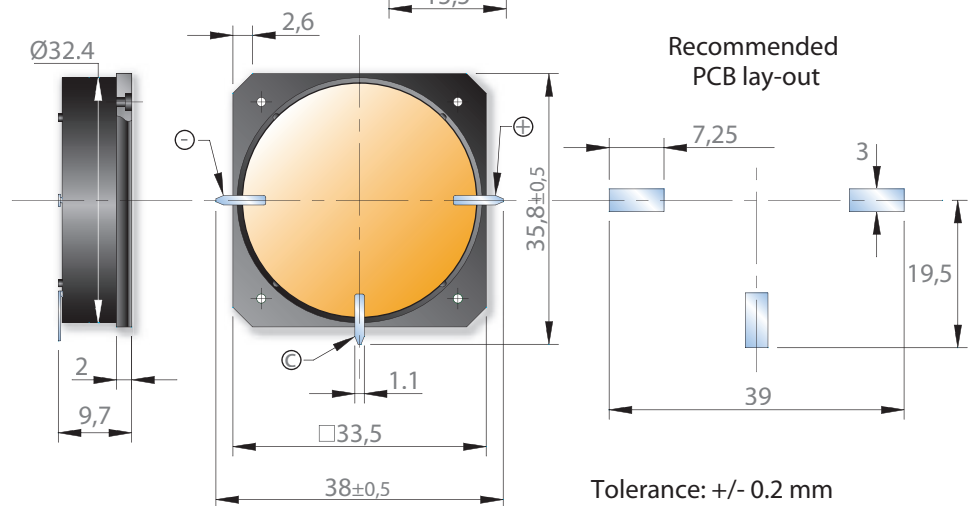


SMB-32 CC P10



Recommended punch-hole: $\varnothing 32.95$

SMB-32 CC S



Recommended PCB lay-out

Tolerance: ± 0.2 mm